

AMERISINK

HERITAGE UNDERMOUNT STAINLESS STEEL SINK AS319

Features

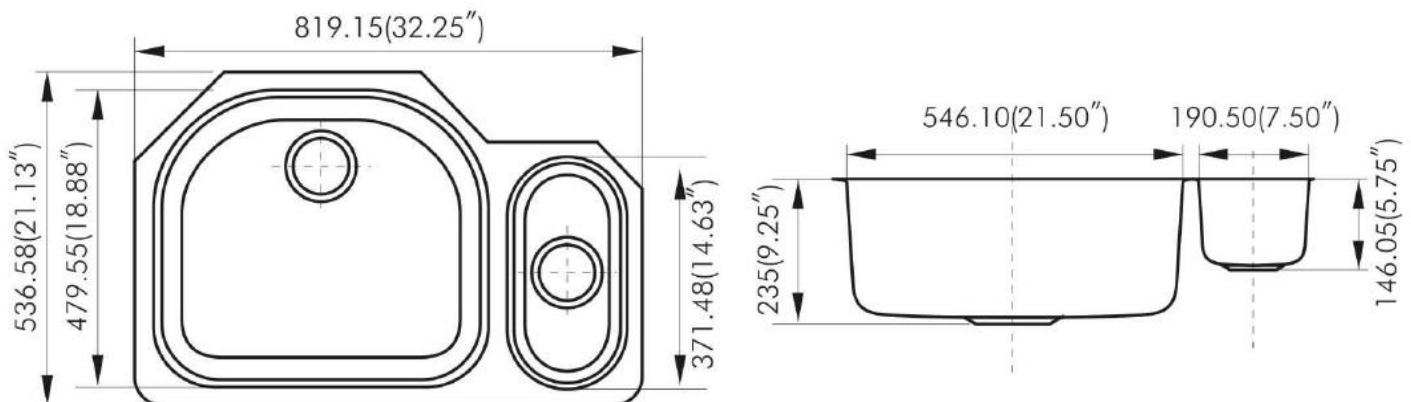
- 32" x 21" x 9⁵/₈"
- 16 gauge, 304 stainless steel
- Undermount sink
- Easy-to-clean, brushed finish
- Spray insulated undercoating & sound pads
- Includes template & installation hardware
- Limited lifetime warranty
- Reverse model available, AS319L



OPTIONAL ACCESSORY:
BG 319B Bottom Grids for Larger Bowl

CODES:
ASME A112.19.3/CSA B45.4, cUPC

Product Diagram



1-877-500-SINK (7465)

WEST COAST WAREHOUSE: 510-667-9998  EAST COAST WAREHOUSE: 404-691-5088

WWW.AMERISINK.COM