

### Features

- 31" x 18" x 9"/9"
- 18 gauge, 304 stainless steel
- Undermount sink
- Handcrafted
- Easy-to-clean, brushed finish
- Spray insulated undercoating & sound pads
- Includes template & installation hardware
- Limited lifetime warranty



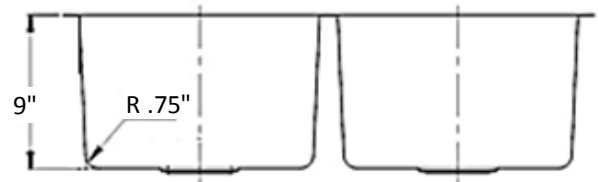
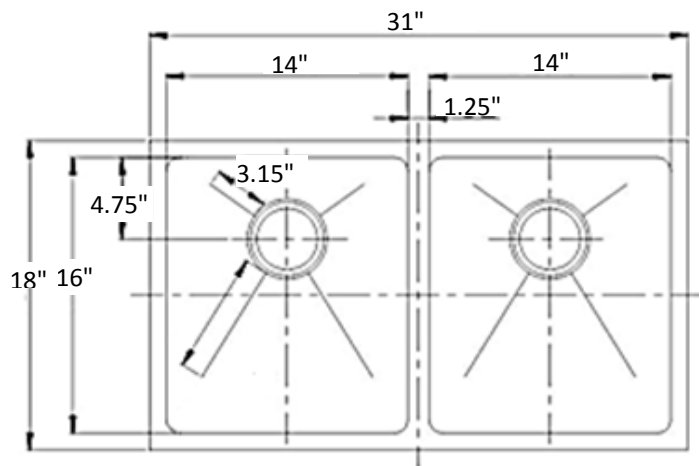
### OPTIONAL ACCESSORY:

BG 330 Bottom Grids

### CODES:

ASME A112.19.3/CSA B45.4, cUPC

### Product Diagram



**1-877-500-SINK (7465)**

WEST COAST WAREHOUSE: 510-667-9998  EAST COAST WAREHOUSE: 404-691-5088

**WWW.AMERISINK.COM**